

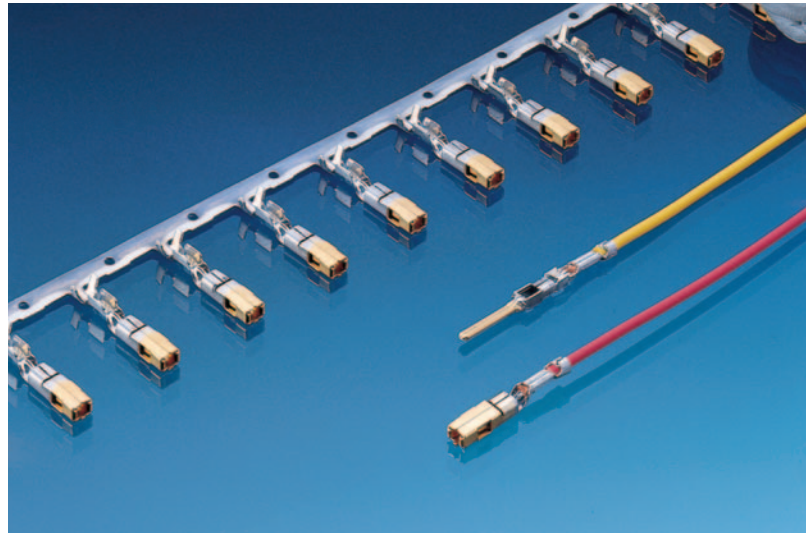
Sicma-2



1.5 mm female and male terminals

Features

- Sicma technology
- One-piece construction
- 3.33 mm pitch
- High current carrying capacity
- Low contact mating force
- Compatible with a large range of connector sealing technologies (single wire sealing, mat-seal)
- Suitable for secondary lock
- Selective gold-plated versions available



Performance characteristics

- Contact resistance: < 2 m Ω
- Contact mating force: < 5 N
- Contact unmating force: < 4 N
- Current carrying capacity

at 23°C up to approx.:	21 A
at 85°C up to approx.:	14 A
at 100°C up to approx.:	12 A
at 125°C up to approx.:	6.5 A

Packing

- No. of terminals per reel: Consult us
- No. of reels per packing: Consult us

Tooling

- Manual crimping tool: Consult us
- Mini applicator: Consult us

Part Numbers	Type	Wire size range (in mm ²)		Insulation \varnothing (in mm) Max.	Material	Plating
		Min.	Max.			
211 CC2S1120	Female	0.35	0.75	2.20	CuMg	Sn
211 CC2S2120	Female	1.00	2.00	2.60	CuMg	Sn
211 CC2S1230	Female	0.35	0.75	2.60	CuMg	Au 1.27 μ m
211 CC2S2230	Female	1.00	2.00	2.60	CuMg	Au 1.27 μ m
211 CL2S1120	Male	0.35	0.75	2.20	CuSn1	Sn
211 CL2S2120	Male	1.00	2.00	2.60	CuSn1	Sn
211 CL2S1230	Male	0.35	0.75	2.20	CuSn1	Au 1.27 μ m
211 CL2S2230	Male	1.00	2.00	2.60	CuSn1	Au 1.27 μ m

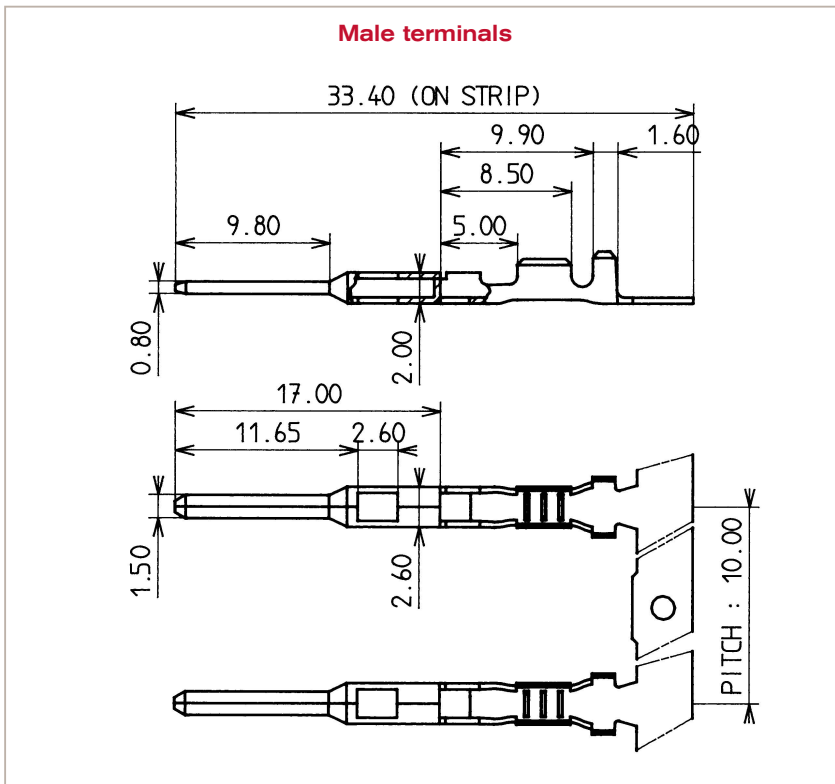
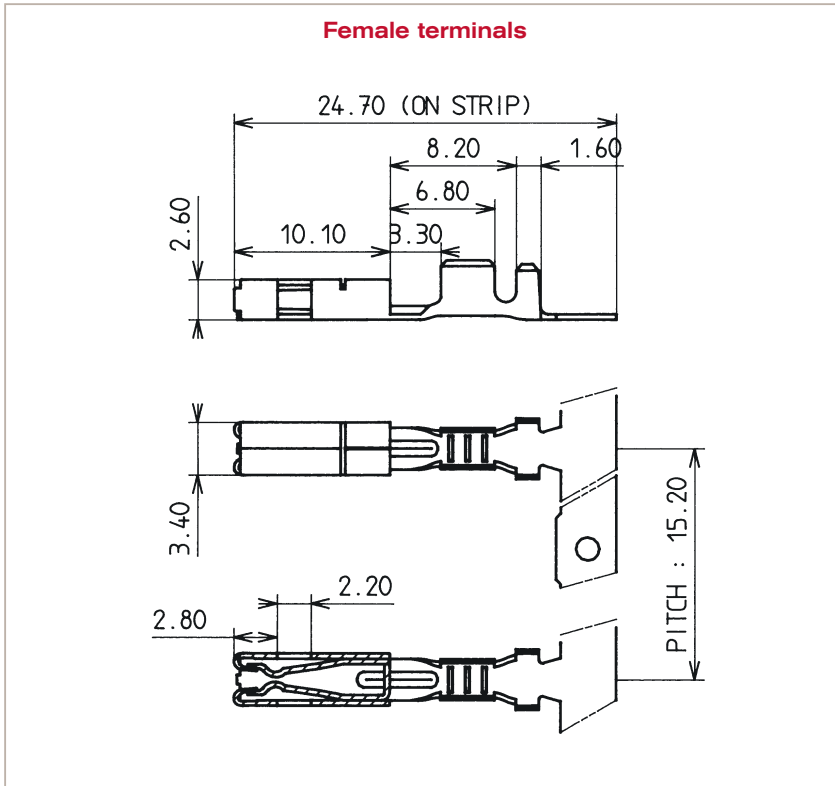
Sicma-2



1.5 mm female and male terminals

Dimensional characteristics

Notes :



Horizontal lines for notes:
